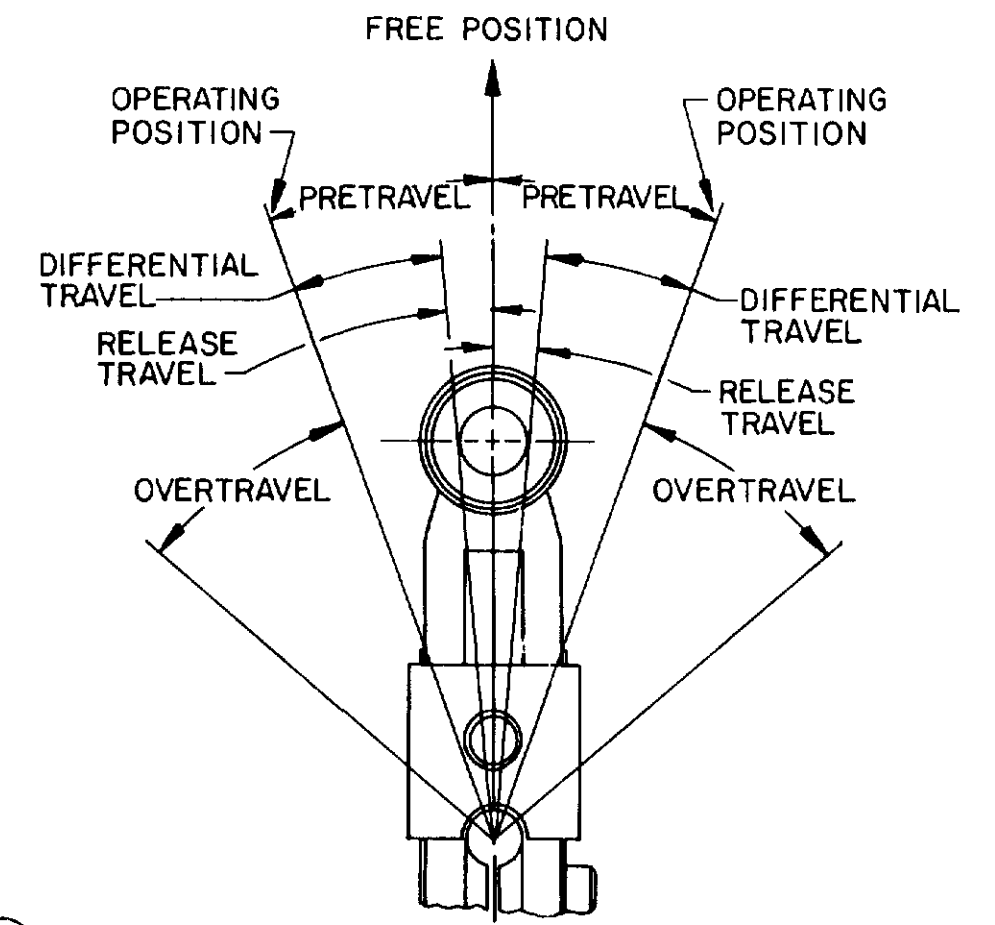
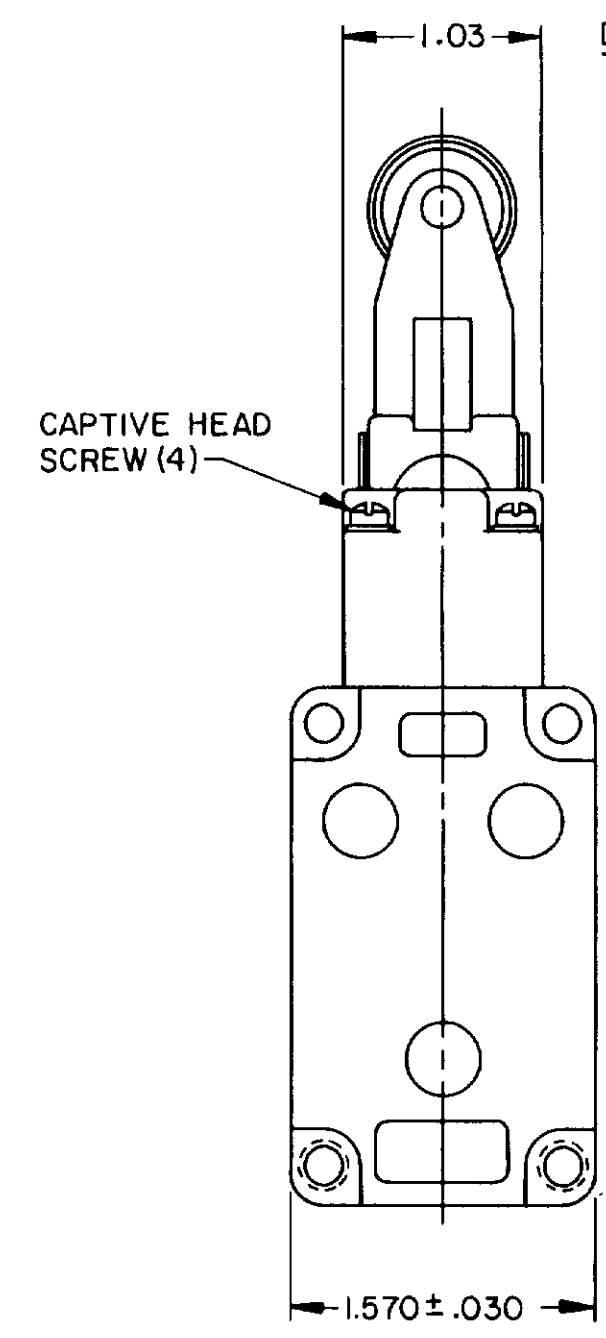
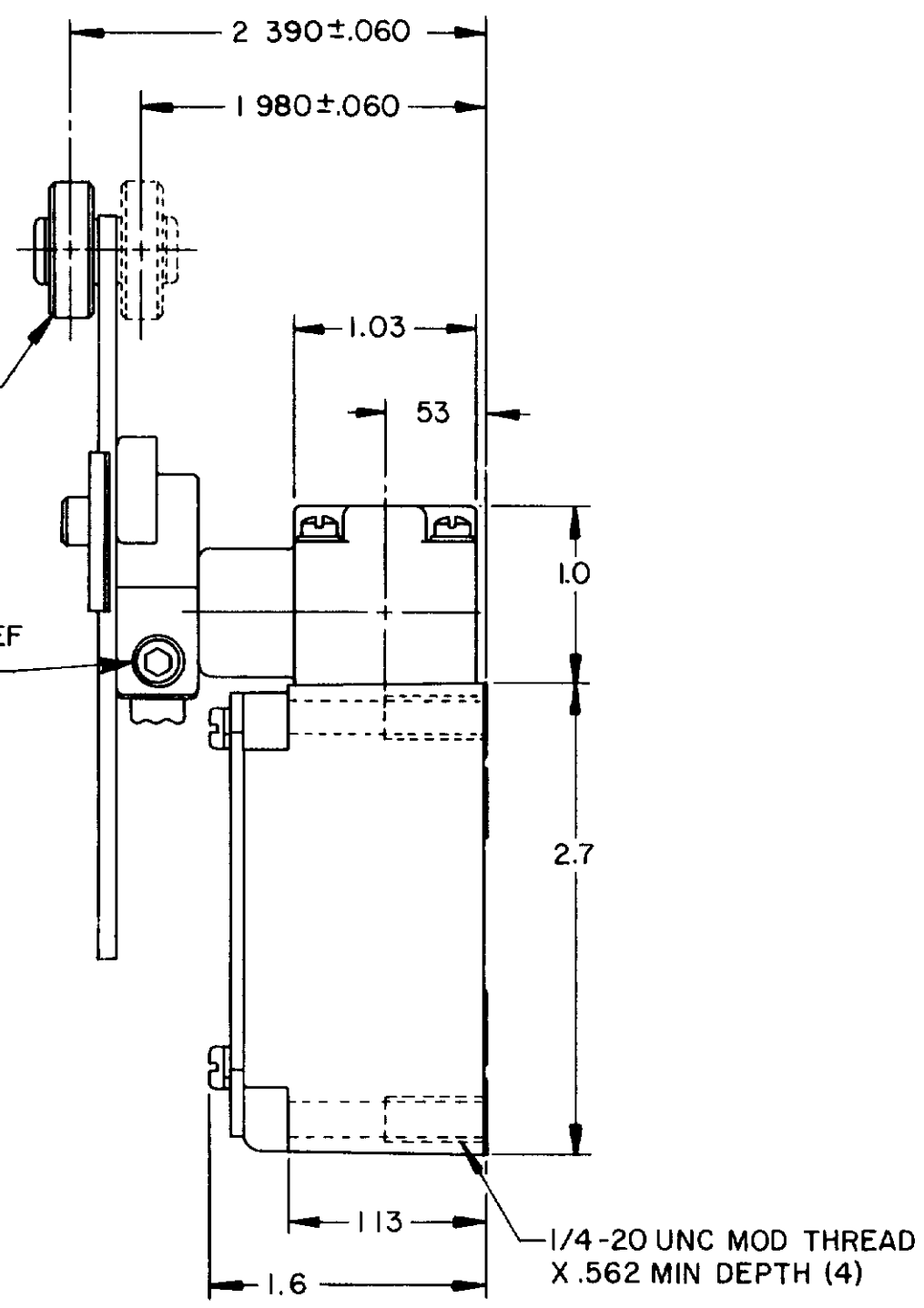
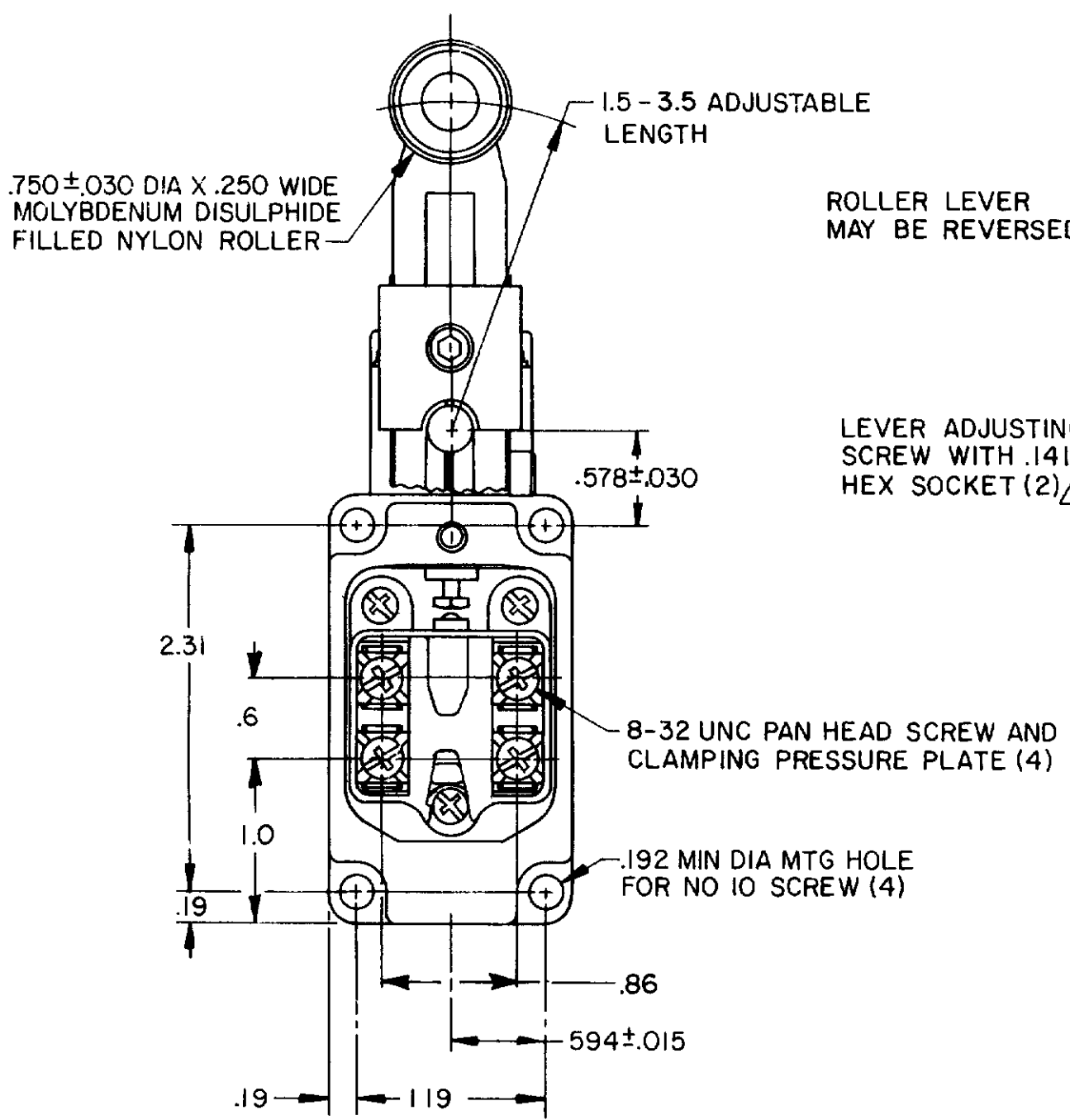
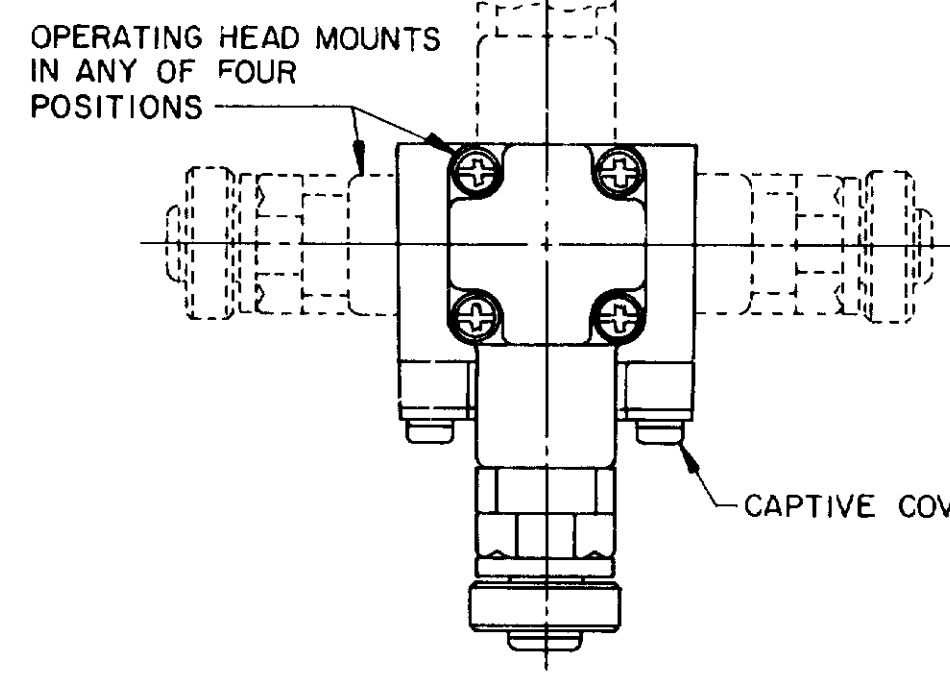
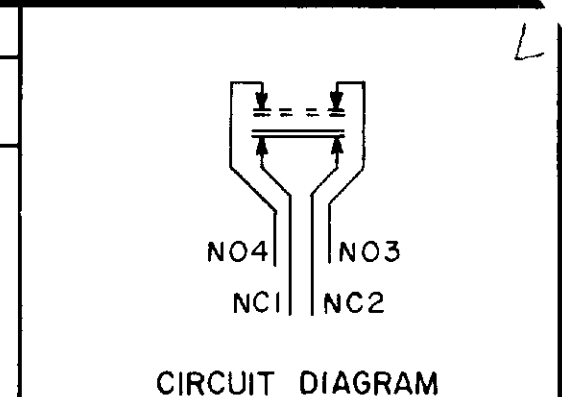
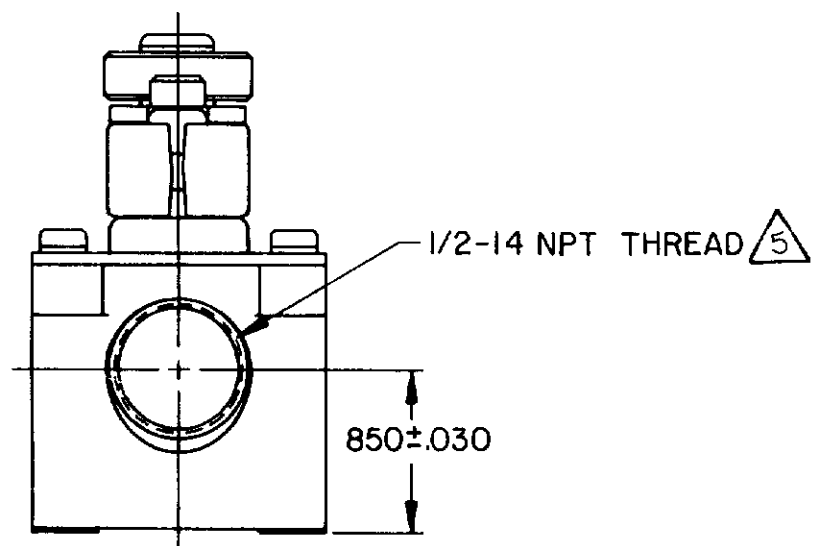


CHARACTERISTICS
*OPERATING TORQUE-----4.5 IN-LB MAX
*FULL OVERTRAVEL TORQUE--6 IN-LB MAX
*RELEASE TORQUE-----.75 IN-LB MIN
PRETRAVEL-----20° MAX
DIFFERENTIAL TRAVEL-----12° MAX
OVERTRAVEL-----30° MIN
RELEASE TRAVEL-----5° MIN
*FORCES TAKEN AT 1.5 LEVER LENGTH
SWITCH-BASIC REPLACEMENT--2MN1

ELECTRICAL DATA
CONTACT ARRANGEMENT (SEE CIRCUIT DIAGRAM)
10A-120, 240, OR 480 VAC, 1/3 HP-120 VAC 3/4 HP-240 VAC, 0.8A-115 VDC, 0.4A-230 VDC, 1A-550 VDC PILOT DUTY! 600 VAC MAX



- NOTES
- SWITCH IS ASSEMBLED FOR ACTUATION IN BOTH DIRECTIONS BUT MAY BE ADJUSTED TO ACTUATE IN THE CLOCKWISE DIRECTION ONLY OR THE COUNTERCLOCKWISE DIRECTION ONLY
 - TO CONVERT SWITCH FOR ACTUATION IN EITHER THE CLOCKWISE OR COUNTERCLOCKWISE DIRECTION ONLY, REMOVE ACTUATOR HEAD AND ROTATE THE NOTCHED PLUNGER 90° TO THE RIGHT FOR CLOCKWISE ACTUATION OR 90° TO THE LEFT FOR COUNTERCLOCKWISE ACTUATION
- 3 ROLLER LEVER MAY BE LOCKED IN ANY POSITION THRU 360°
- 4 LEVER FURNISHED UNASSEMBLED IN UNIT PACKING BOX
- 5 SEAL TO BE FURNISHED BY USER



FO-52863-C
 DRAWN
 TAD 10 DEC 86
 CHECK
 11/18/86
 1LS3
 DRAWING NUMBER
 M
 18
 REVISIONS
 A 0050486
 T A D
 10 DEC 86
 B 84552
 G R T
 28 NOV 89
 C 65814-E
 G R T
 26 NOV 90
 D 17031
 JDB
 17 DEC 93
 E 78083
 G W
 16 JAN 95

THIS DRAWING COVERS A PROPRIETARY ITEM AND IS THE PROPERTY OF MICRO SWITCH A DIVISION OF HONEYWELL THIS DRAWING IS NOT TO BE COPIED OR USED WITHOUT THE APPROVAL OF MICRO SWITCH

MICRO SWITCH a Honeywell Division	SWITCH - ENCLOSED	CATALOG LISTING 1LS3
FED MFG CODE 91929		

THIRD ANGLE PROJECTION	
SCALE	FULL
DO NOT SCALE PRINT	
UNLESS OTHERWISE SPECIFIED TOLERANCES ARE	
ONE PLACE	(.0) ± .030
TWO PLACE	(.00) ± .015
THREE PLACE	(.000) ± .005
ANGLES	±
WEIGHT	